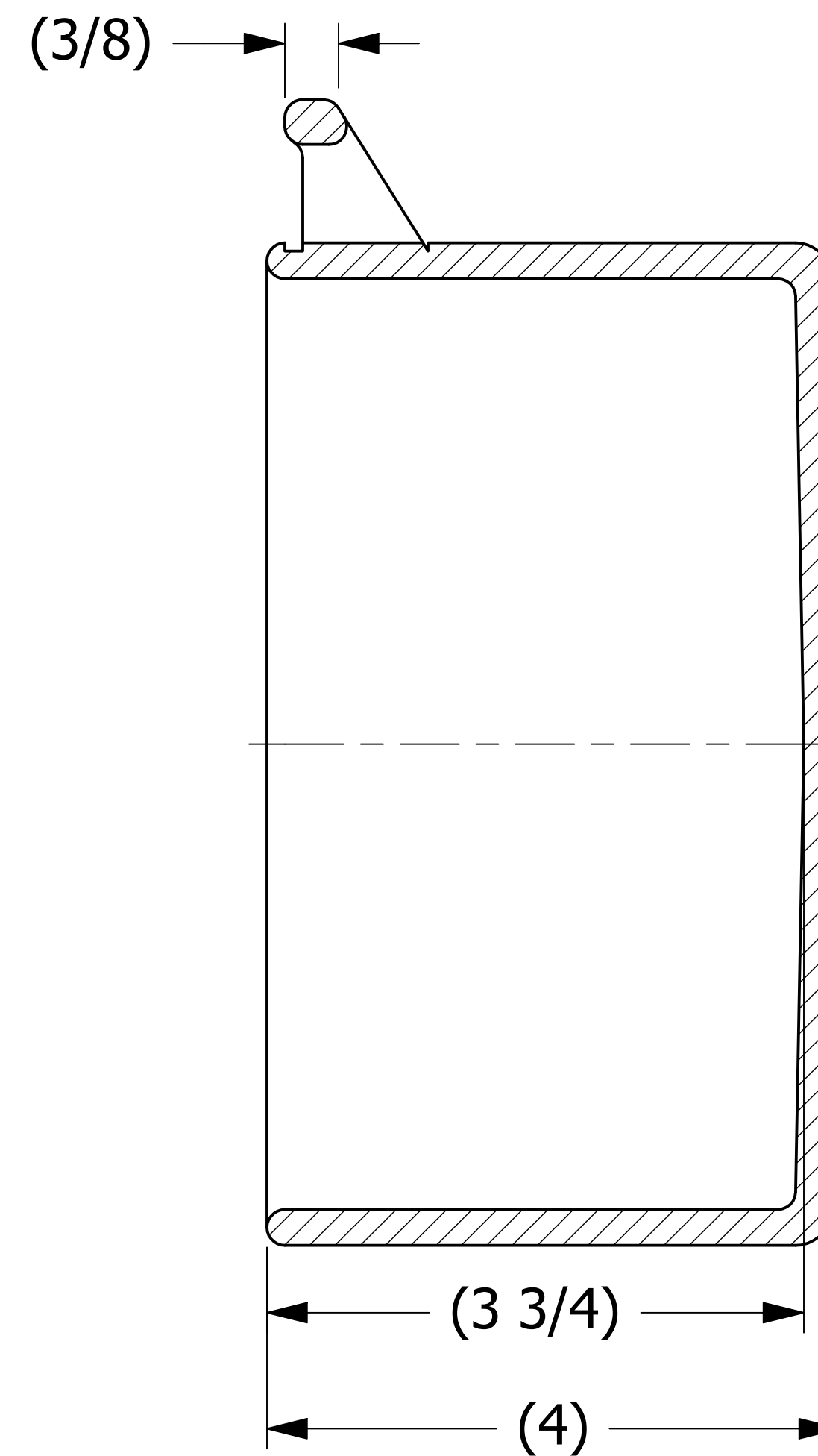
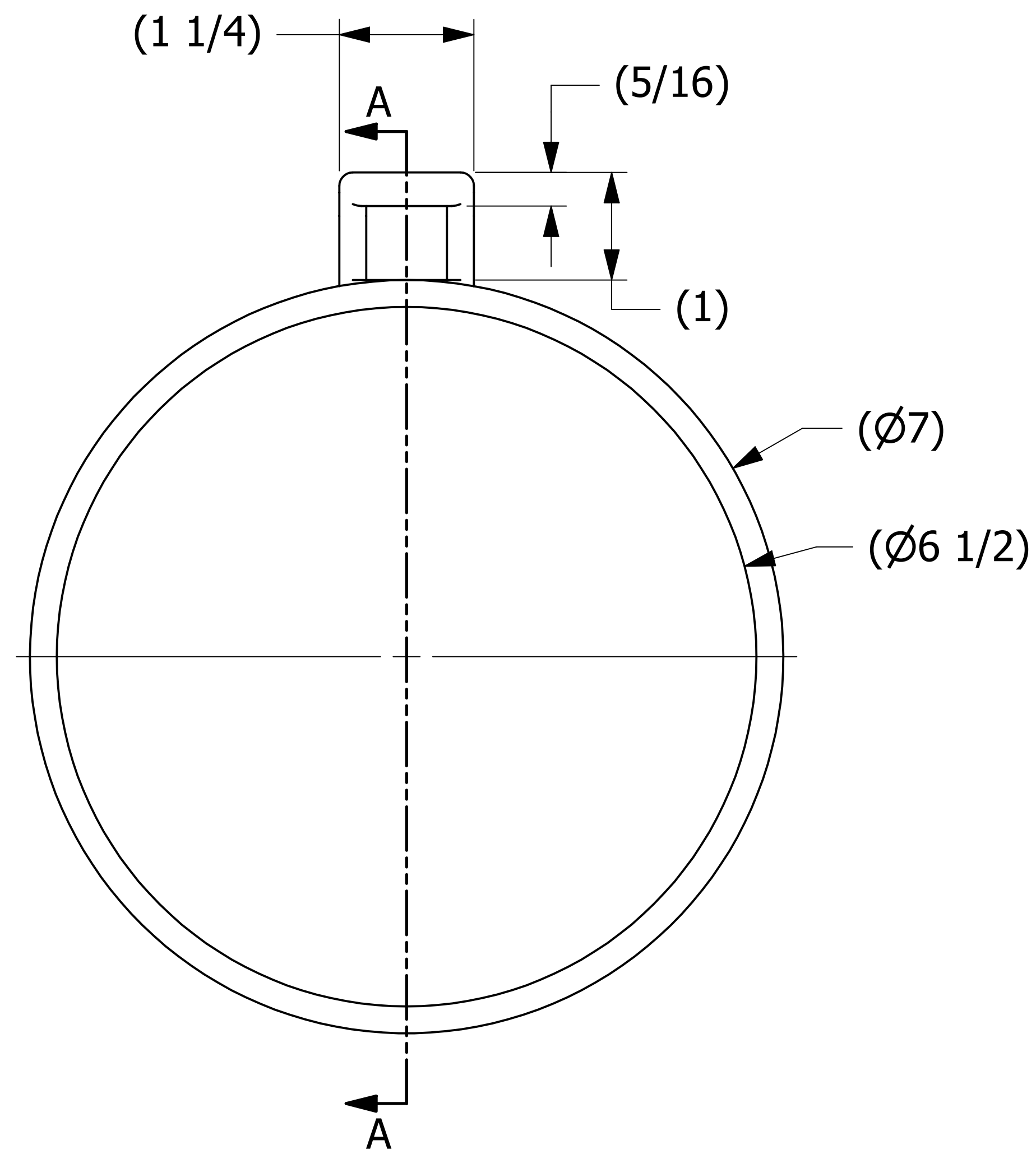


SALES DRAWING SALES DRAWING

SALES DRAWING SALES DRAWING



SECTION A-A

REV	BY	DATE	DESCRIPTION
C	PJG	2-21-01	REMOVED Ø1/8" HOLE FOR PIN AND DESCRIPTION WAS DRILLED & PINNED PULLMAN OUTLET CAP
B	CHL	2-13-01	CHANGED MATERIAL FROM DOW 941 TO ABS GREY AND UPDATED TO 3D
A	TJN	5-24-91	DOW 941 WAS ABS

UNLESS OTHERWISE SPECIFIED DIMENSIONAL TOLERANCES FRACTIONAL: ±1/16 X.XX: ±.03 X.XXX: ±.015 ANGULAR: ±1° DEBURR ALL SHARP EDGES. ALL MACHINED SURFACES TO HAVE A 125 RMS FINISH UNLESS NOTED OTHERWISE. THIRD ANGLE PROJECTION	DRAWN BY:	JDA
	CHECKED BY:	
	PROTOTYPE BY:	JDA
	PROTOTYPE DATE:	8/16/1989
	APPROVED FOR PRODUCTION BY:	JDA
	PRODUCTION DATE:	8/16/1989

SALCO PRODUCTS, INC.		
PART NAME: PULLMAN OUTLET CAP		
MATERIAL: ABS GREY		
PROJECT #:	SHEET #:	SCALE:
	1 OF 1	1:1
DRAWING #:	PART #:	
D81689	RPMM6DP	

THIS PRINT, PROPERTY OF SALCO PRODUCTS INC. CONTAINS PROPRIETARY INFORMATION AND MUST NOT BE COPIED, REPRODUCED, OR USED DETRIMENTALLY TO OUR INTEREST.